

A

B

C

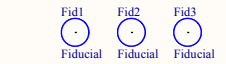
D

A

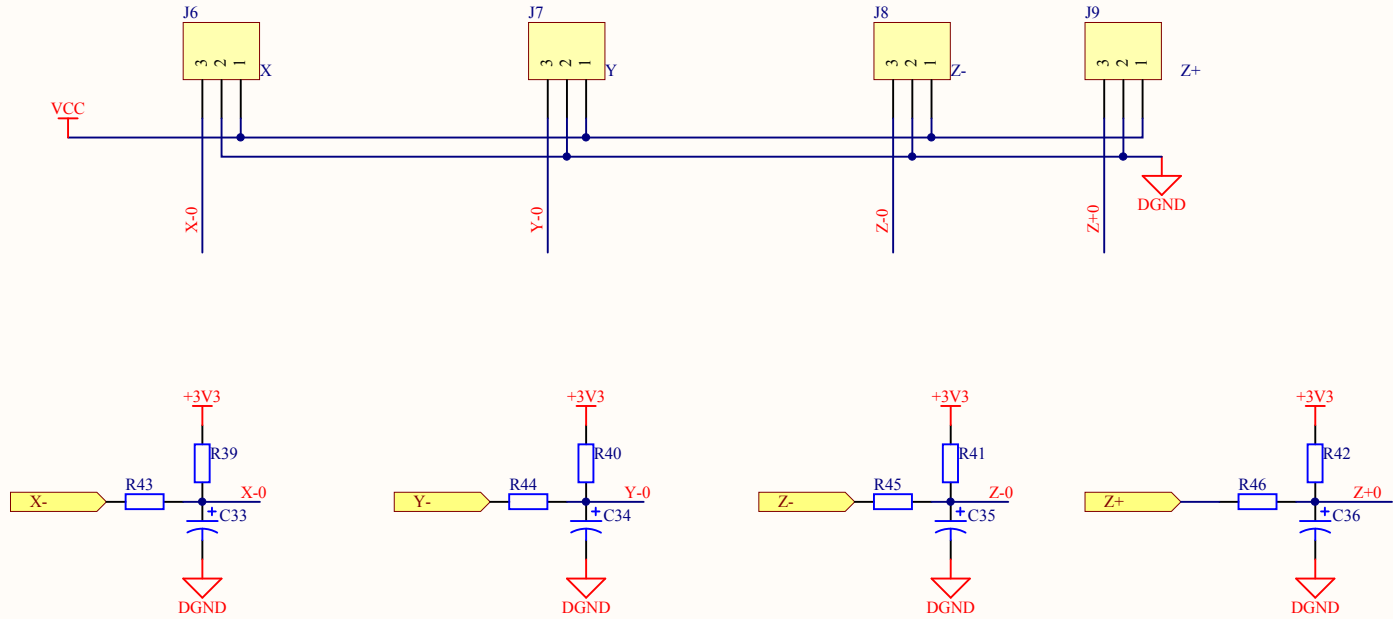
B

C

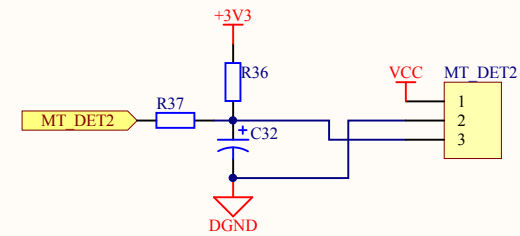
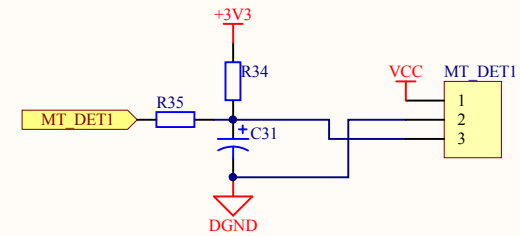
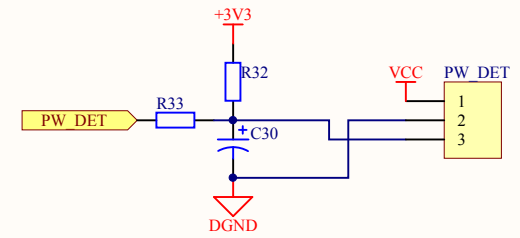
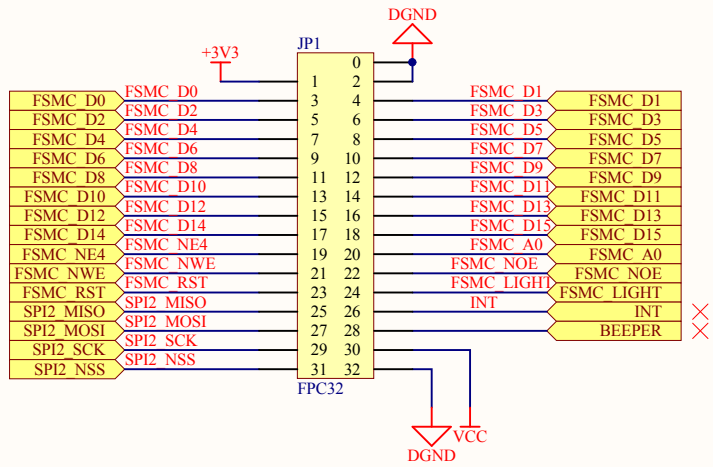
D



Title		
Size	Number	Revision
A3		
Date:	2019/6/21	Sheet of
File:	E:\Work\STM32_Sheet_SchDoc	Drawn By:

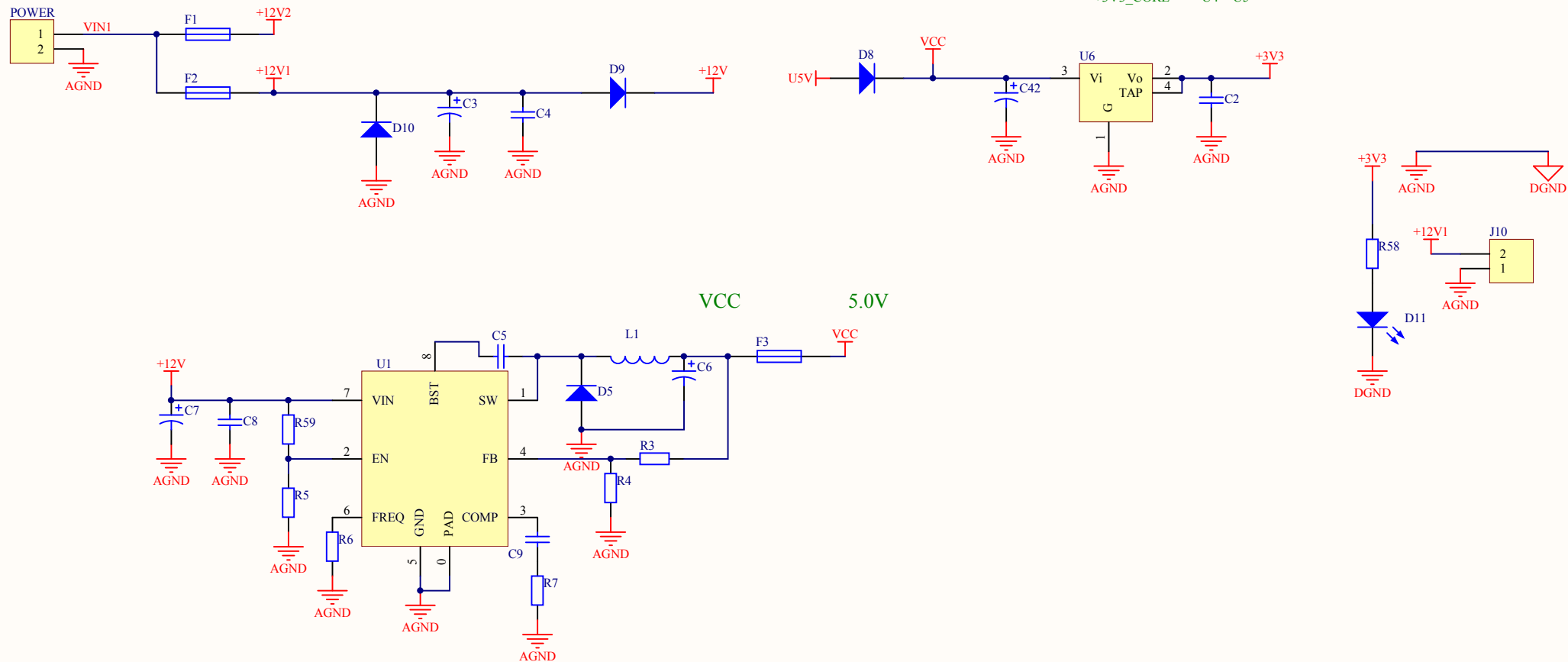


Title		
Size	Number	Revision
A4		
Date:	2019/6/21	Sheet of
File:	E:\Work\...\ENDstops.SchDoc	Drawn By:



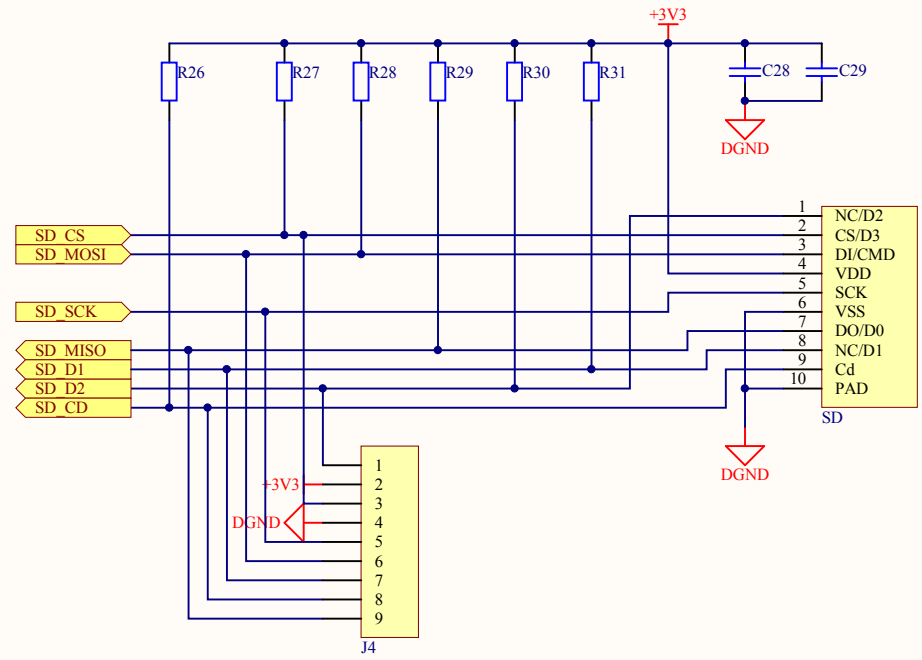
Title		
Size	Number	Revision
A4		
Date:	2019/6/21	Sheet of
File:	E:\Work\...P-AUX.SchDoc	Drawn By:



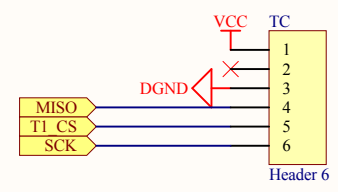
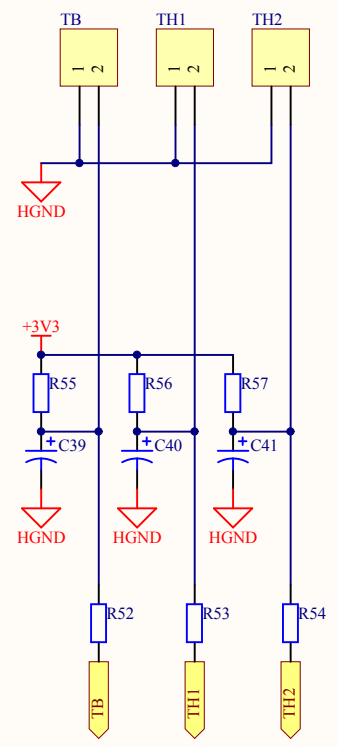


Title		
Size	Number	Revision
A4		
Date:	2019/6/21	Sheet of
File:	E:\Work\Power.SchDoc	Drawn By:

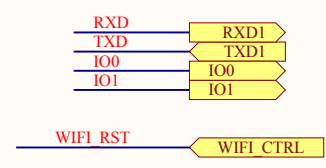
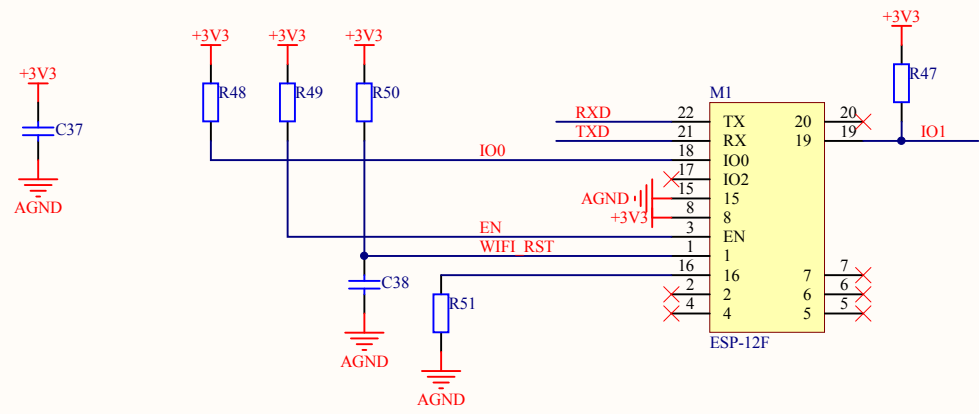




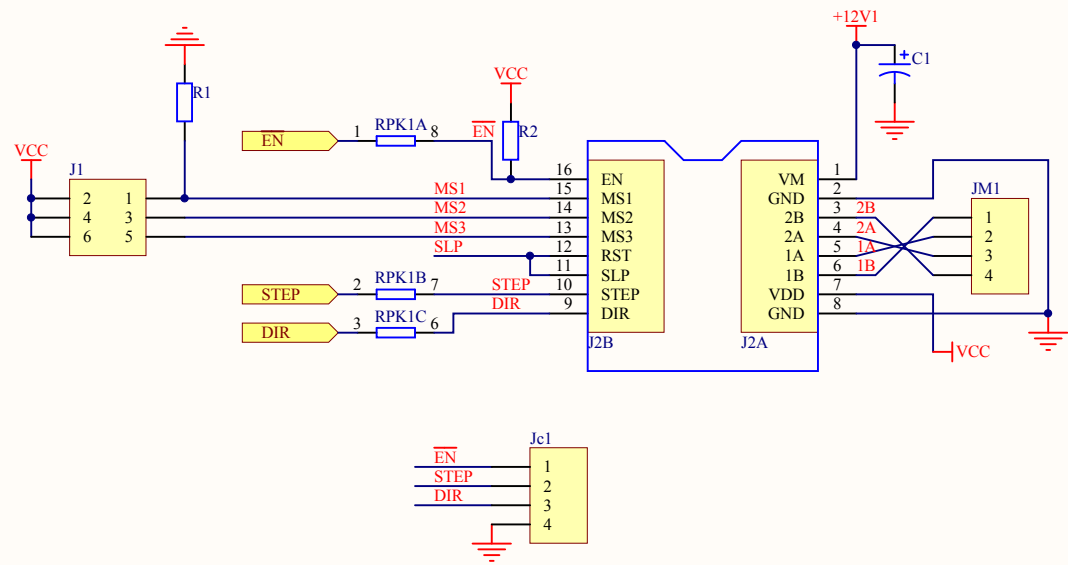
Title		
Size	Number	Revision
A4		
Date:	2019/6/21	Sheet of
File:	E:\Work\...\SD.SchDoc	Drawn By:



Title		
Size	Number	Revision
A4		
Date:	2019/6/21	Sheet of
File:	E:\Work\..THM.SchDoc	Drawn By:



Title		
Size	Number	Revision
A4		
Date:	2019/6/21	Sheet of
File:	E:\Work\.\WIFI.SchDoc	Drawn By:



Title		
Size	Number	Revision
A4		
Date:	2019/6/21	Sheet of
File:	E:\Work\...A4988.SchDoc	Drawn By:

1

2

3

4

A

A

B

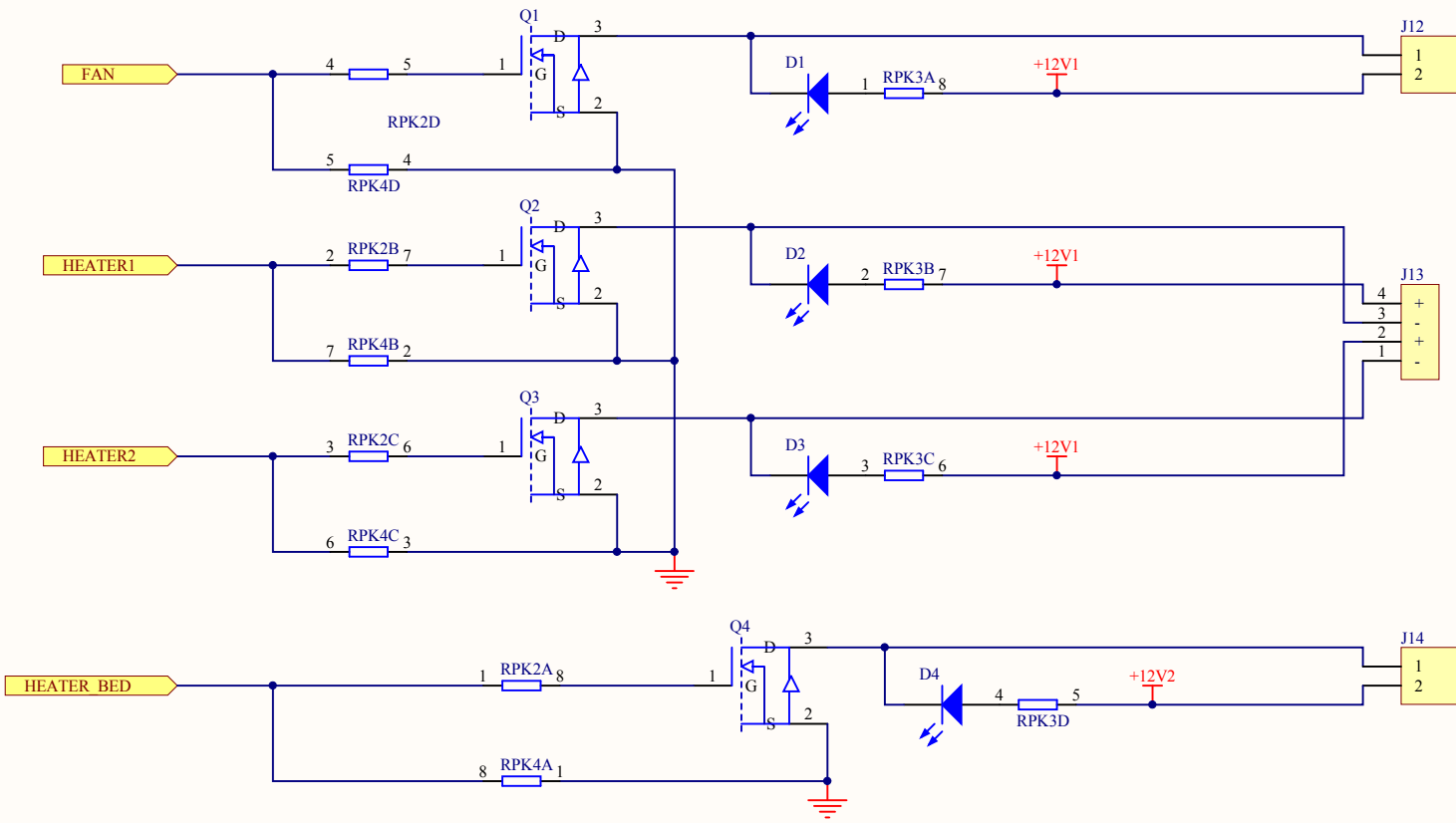
B

C

C

D

D



Title		
Size	Number	Revision
A4		
Date:	2019/6/21	Sheet of
File:	E:\Work\...\MOSFET.SchDoc	Drawn By:

1

2

3

4