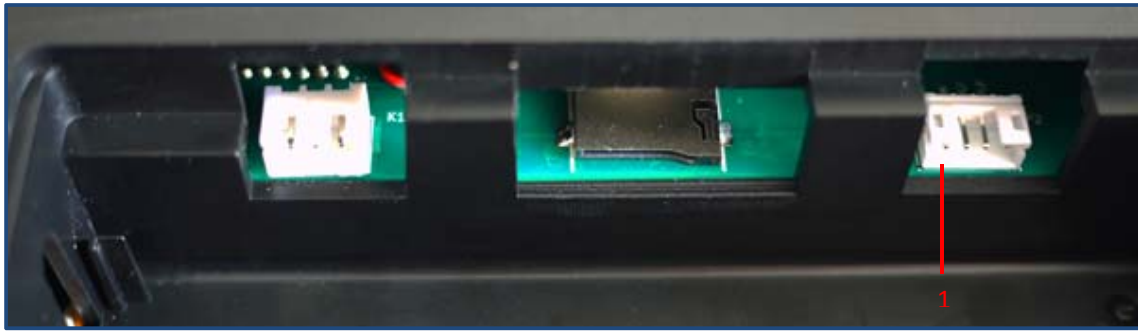


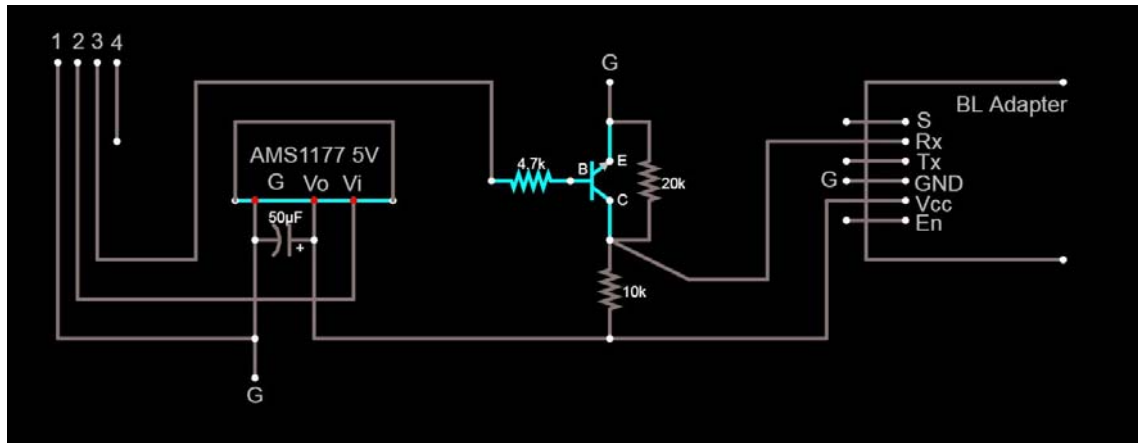
1. X9D+ Battery bay serial port



1- GND ; 2 – Vbat; 3 – TX; 4 – RX

Plug type – JST PH 4p

2. Inverter, BL voltage regulator. (Note that on X9D+ pin 2 provides full radio battery voltage)



10k / 20k – can be any value keeping divider ratio.

Transistor – NPN signal.

3. Inverter states:

