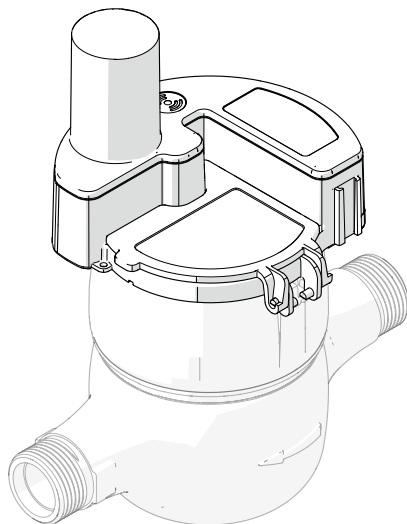


Arrow^{WAN} MVM

wM-Bus 169 MHz radio module
LoRaWAN 868 MHz radio module




INSTRUCTIONS FOR INSTALLATION, USE AND MAINTENANCE


Translation of the original instructions.

Before installing and using the device, carefully read this manual and store it together with the product.

Symbols used in this manual and relative meaning

 **WARNING!**
Indicates particularly important information.

 **DANGER!**
Identifies actions that may lead to injury or damage to the device if not performed correctly.

 **PROHIBITED**
Indicates actions that **MUST NOT** be performed.

Compliance

Maddalena S.p.A. declares that **Arrow^{WAN} MVM** is compliant with the mandatory requirements of the following directives and standards:

- Directive 2014/53/EU (RED - Radio Equipment Directive)
- Directive 2011/65/EU (RoHS)



The full declaration of EU compliance is available from the following website: www.maddalena.it.

Warranty

Conditions of sale and warranty

The conditions of sale and warranty are available on the website www.maddalena.it.

Warranty limitations

Maddalena S.p.A. declines all responsibility, with immediate invalidation of the warranty in relation to:

- Damage or defects caused by transport or loading/unloading
- Incorrect installation caused by a failure to observe the instructions provided
- Use for purposes other than those indicated in this manual
- Use by unqualified or untrained personnel

Contents

1	General information	3
1.1	Warnings and safety rules	3
1.2	Restrictions	4
1.3	Device description	4
1.4	Usage limits	5
1.5	Structure	6
1.6	Identification	6
1.7	Technical specifications	7
2	Installation	8
2.1	Receipt of the product	8
2.2	Fitting on meter	8
3	Use	10
3.1	Synchronisation of mechanical reading	10
3.2	Activating the radio module	10
3.3	Verification of the entered parameters	13
3.4	Troubleshooting	14
3.5	Deactivating the radio module	15
4	Maintenance	16
4.1	Battery	16
4.2	Cleaning	16
4.3	Disposal	16

1 General information

1.1 Warnings and safety rules



WARNINGS

- This manual is the property of **Maddalena S.p.A.** and reproduction or transfer to third parties of the contents of this document is prohibited. All rights reserved. This document represents an integral part of the product; ensure that it is always together with the product, even in case of sale/transfer to another owner, allowing its consultation by the user or authorised maintenance or repair personnel.
- Carefully read this manual before using the device to ensure safe operation.
- The device must be used as defined by **Maddalena S.p.A.**, that holds no responsibility for damage to persons, animals or property due to installation, adjustment or maintenance errors or improper use of the device.
- Once the packaging has been removed, check that the product is intact and complete. If the contents do not correspond to the order, consult the local distributor that sold the device.
- The device should not be installed and used in contexts where it will be exposed to atmospheric agents.
- The device must always be protected from extreme humidity and heat. Penetration of humidity and intense heat may damage the battery and the device.
- If there are any doubts regarding conditions/functions of the device and related parts, please contact the local distributor for further information.
- Once the device is in use, report any anomalies or faults encountered to the product supplier.
- In case of complete destruction of the device with leakage of the electrolyte, avoid contact with the eyes and skin, do not inhale fumes produced, and sufficiently ventilate the room.
- The device emits radio signals that may interfere with un-shielded electronic devices or those improperly shielded, such as pacemakers, hearing aids, medical devices and other electronic devices. To resolve any interference problems, consult the manufacturers of the relative electronic devices.
- This device is not for use by persons with reduced physical or mental capabilities, or those without appropriate experience and knowledge (including children), unless supervised by a person responsible for their safety and following adequate training in how to use the product.

1.2 Restrictions



PROHIBITED

- Do not modify and/or attempt to repair the product. All repairs must be performed exclusively by authorised personnel.
- Do not leave the device exposed to atmospheric agents.
- Do not place the device near to heat sources or expose it to direct sunlight.
- Do not install the device near other electrical equipment as this may lead to signal disturbance.
- Do not open and/or replace the battery.
- Do not use solvents to clean the device.
- Properly dispose of packaging material and keep it out of children's reach as it may represent a hazard. Disposal must be performed in line with applicable laws.
- Do not dispose of the device as domestic waste.

1.3 Device description

Arrow^{WAN} MVM is a compact radio module for **Maddalena** series MVM and MVM Plus C water meters that enables measurement, transmission and remote reading of the consumption values and alarms using wireless technology.

Arrow^{WAN} MVM is available in two versions: **Arrow^{WAN} MVM 169** and **Arrow^{WAN} MVM 868**. The two versions differ for their transmission frequency (respectively 169 MHz and 868 MHz) and for the protocol used.

Arrow^{WAN} MVM 169 uses the wM-Bus transmission protocol and also conforms to AF-NOR E17Z v2.

Arrow^{WAN} MVM 868 uses the LoRa protocol and is certified by LoRa Alliance®. This guarantees a high level of interoperability with various reading systems on the market, including third-party systems.

The following alarms are managed: excessive consumption (configurable parameters), backflow (limit set and configurable), leak (configurable parameters), device generic alarm, battery almost flat (below 10%), electronic fraud and mechanical fraud (removal).

The factory set-up can nonetheless be modified:

- through the NFC port and relevant app installed on a device with Android operating system;
- = through the NFC port and relevant app via a suitably formatted configuration file installed on the module.
- OTA if **Arrow^{WAN} MVM** is already active and connected to the fixed network.

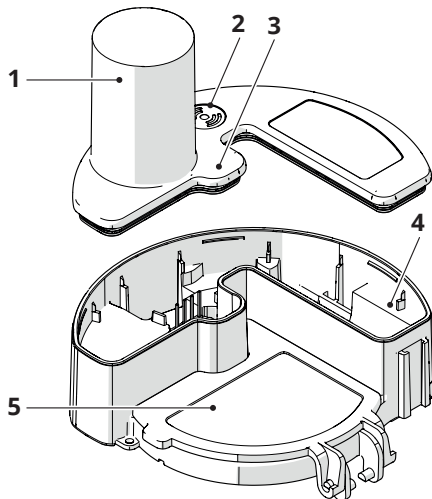
The main technical specifications of the **Arrow^{WAN} MVM** design are:

- **internal sensor** that identifies rotation of the pointer on the meter using the principle of induction (immune to magnetic interference), calculates the volume (in both directions), manages alarms and stores data in a non-volatile memory;
- **wireless radio communication interface:**
 - **Arrow^{WAN} MVM 169** wM-Bus N2 (a, b, c, d, e, f) conforming AFNOR E17Z V2 which allows for remote reading in both scenarios, **mobile** (walk-by) and **fixed** (AMR);
 - **Arrow^{WAN} MVM 868** LoRa t 868 MHz which allows for remote reading in **fixed** mode only (AMR);
- **lithium battery** which guarantees a power supply for up to 15 years. For **Arrow^{WAN} MVM 169** MHz in **fixed** mode and default parameter configuration.

1.4 Usage limits

The product may be used exclusively with compatible meters and in line with the corresponding usage limits (see paragraph “**Technical specifications**”).

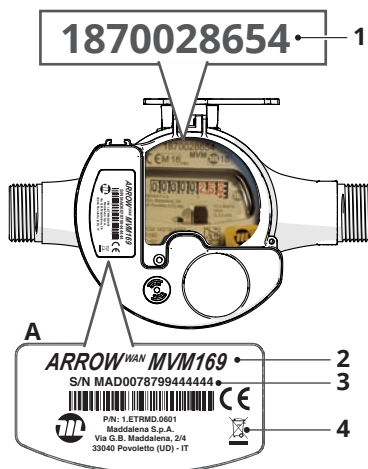
1.5 Structure



- 1 Antenna
- 2 NFC
- 3 Meter interface (two-way inductive sensor)
- 4 Battery
- 5 Protective cover

1.6 Identification

The **Arrow^{WAN} MVM** module, identified by the label (A), is strictly associated with a single meter. Two elements are required for this association, performed during installation: the serial number of the mechanical meter and the serial number of module **Arrow^{WAN} MVM**.



- 1 Serial number of the meter
- 2 Model
- 3 Eight-digit serial number of module **Arrow^{WAN} MVM**
- 4 WEEE compliance mark

The serial number can be read on the label of the module itself. Moreover, it is sent with every transmission together with the serial number of the mechanical meter to which it is associated.

1.7 Technical specifications

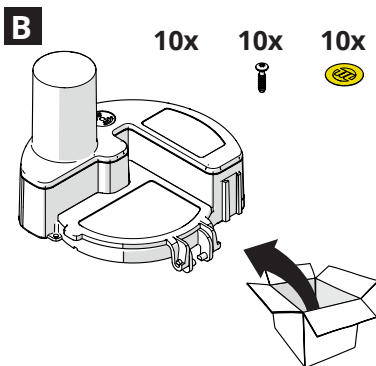
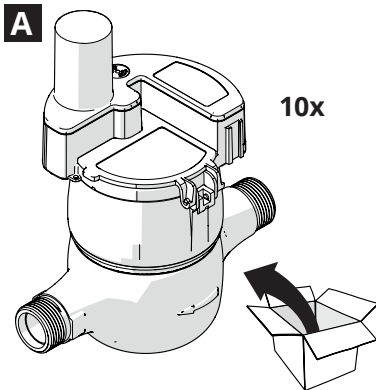
Features	Description	
Sensor	Inductive dual coil (two-way)	
Compatible meters	Series MVM and MVM Plus C volumetric meters	
Sensor resolution	1L (DN<40); 10L (DN40)	
Alarms	Excessive consumption, backflow, leak, generic device alarm, battery almost flat, electronic fraud, mechanical fraud	
Configuration	Through the Android via NFC port (ISO 15693) and OTA	
Power supply	Lithium-ion battery	
Battery lifespan	Up to 15 years	
Certifications/Approvals	CE in compliance with European standards.	
	EMC: EN 610000-4-2, EN 610000-4-3, ETSI EN 301 489-1 v1.9.2, ETSI EN 301 489-3 v1.6.1, ETSI 300 220	
Radio	Standard	
	Modes	Arrow^{WAN} MVM 868: LoRaWAN v. 1.02 Class A
		Arrow^{WAN} MVM 169: EN13757 and AFNOR E17Z v2
	Frequency	Arrow^{WAN} MVM 868: LoRa SF7-12, BW125-500, CR=4/5
		Arrow^{WAN} MVM 169: WMBUS N2 (a, b, c, d, e, f)
	Range (in an urban context)	Arrow^{WAN} MVM 868: 863 at 876 MHz
		Arrow^{WAN} MVM 169: 169.400 MHz at 169.475 MHz
	Reference standards	Arrow^{WAN} MVM 868: up to 3-5 km in LoRaWAN
		Arrow^{WAN} MVM 169: up to 0.5-1 km in wM-Bus
	Data sent	Arrow^{WAN} MVM 868:
		- transmission of 3 measurement frames per day (hourly and daily consumption, alarms)
		- transmission of 1 supervision frame per week (alarms, status of the device)
Arrow^{WAN} MVM 169:		
- transmission of 3 measurement frames a day (hourly and daily consumption, alarms) in fixed mode		
- transmission of 3 measurement frames per day (hourly and daily consumption, alarms) in mobile mode		
- transmission of 1 supervision frame per week (alarms, status of the device)		
Environmental conditions	Storage temperature: -20°C – +60°C	
	Operating temperature: -10 °C – +55 °C	
Protection rating	IP68	
Dimensions	105 mm (Ø)x 135 mm (h)	

2 Installation

2.1 Receipt of the product

Arrow^{WAN} MVM modules are supplied in two different formats:

- A Package containing 10 pieces, already mounted on the series MVM meter
- B Package containing 10 pieces with 10 screws and 10 anti-fraud seals



PROHIBITED

Packaging material must be properly disposed of and kept out of children's reach as it may represent a hazard. Disposal must be performed in line with applicable laws.

2.2 Fitting on meter

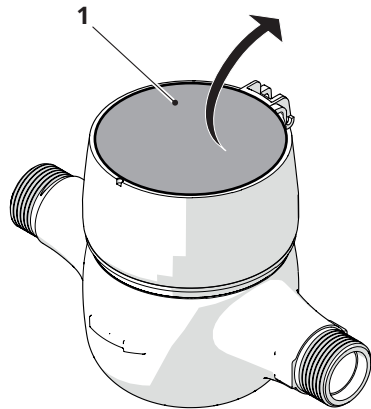


WARNING!

Installation and management of the device is permitted solely by authorised and appropriately trained personnel equipped with sufficient technical experience.

Authorised personnel: specialised installer or plumber, assigned by the metering operator.

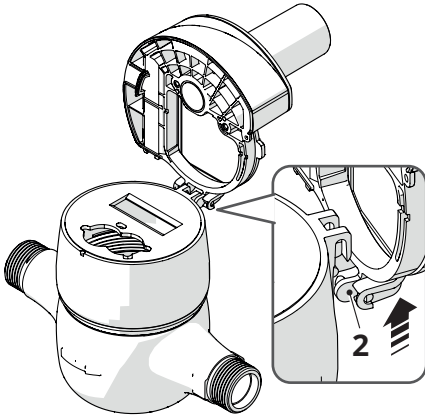
- If present, remove the protective cover (1) of the meter and clean the surface near the pointer.



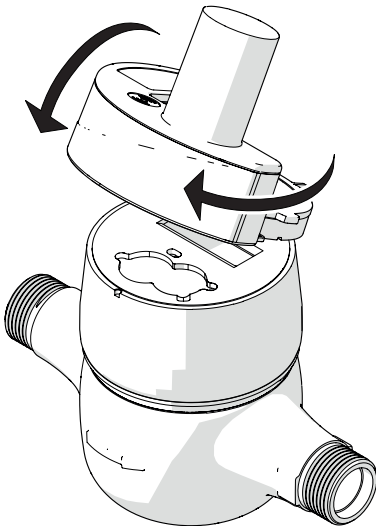
WARNING!

The instruction manual is an integral part of the device and should be carefully read and stored.

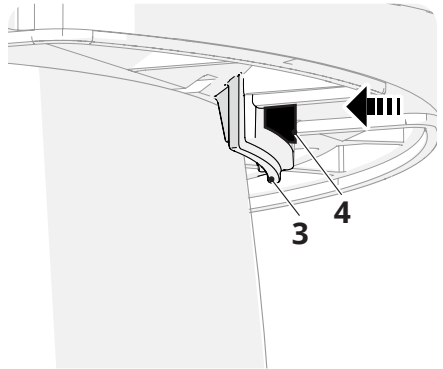
- Attach the **Arrow^{WAN} MVM** module (2) to the relevant housing.



- Lower the module and offset it



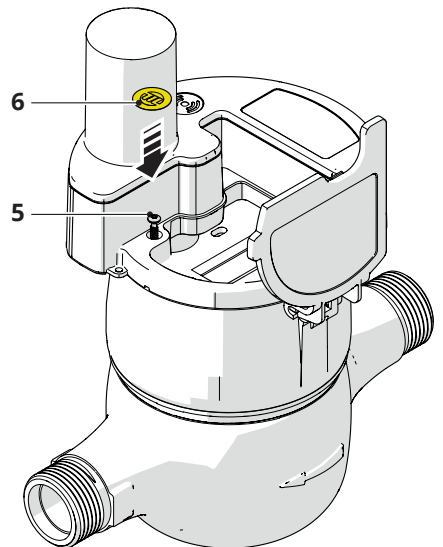
- Attach the eyelet (3) to the catch (4) and realign the module



WARNING!

Do not apply pressure to force the eyelet in.

- Fasten the module using the screw (5) and apply the anti-fraud seal (6).



3 Use

The fully operational phase involves remote meter reading via the radio modules. In AMR (fixed) mode, each radio module transmits the reading with a programmable frequency (default: 3 transmissions per day). In mobile mode (Walk-By/Drive-By), the radio module emits a data web with the measurements when it receives a call from the reading kit **Maddalena**. To receive the signal of the radio module, go near the meter with an appropriate receiver, or if a fixed (AMR) reading system is present, the data is collected automatically.



WARNING!

Reading of data can be performed using various software. Please consult the metering operator for more information on the specific use of reading software.

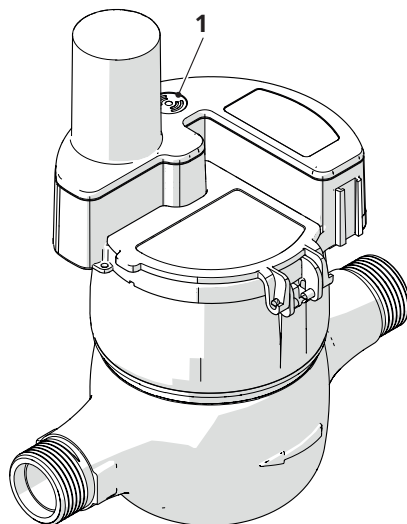
3.1 Synchronisation of mechanical reading

The radio module stores the volume recorded via an inductive sensor. The module is set-up in the factory with initial volume at zero.

If the meter on which the radio module is installed has a reading other than “zero”, it may be appropriate to synchronise reading of the mechanical meter and that of the radio module using the programming kit. Simply read the value in litres on the meter and set the reading using the activation software (refer to the “**Activating the radio module**” paragraph).

3.2 Activating the radio module

The radio module is activated through the NFC port located under the small label showing the “entry point” logo located beside the module’s antenna.



WARNING!

It is necessary to use a smartphone with the Android operating system and the relevant app provided by **Maddalena S.p.A.**. The app must be installed and set correctly before proceeding with the activation of **Arrow^{WAN} MVM**. Refer to the app’s manual for the details.



WARNING!

To activate the **Arrow^{WAN} MVM 169** module, set the radio type in wM-Bus

To activate the **Arrow^{WAN} MVM 868** module, set the radio type in LoRa.

To set the type of radio, click on the three dots at the top right-hand side (2) and choose SETTINGS. Check that the correct radio type (wM-BUS or LoRa) was selected in the "Application Mode" field. Moreover, make sure that the "Headend Mode" is not flagged, since the **Arrow^{WAN} MVM** radio does not use this option.



WARNING!

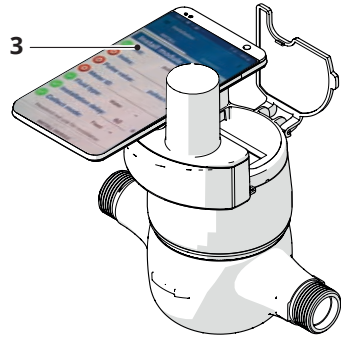
When changing the type of radio, it is necessary to close the app and repeat the login



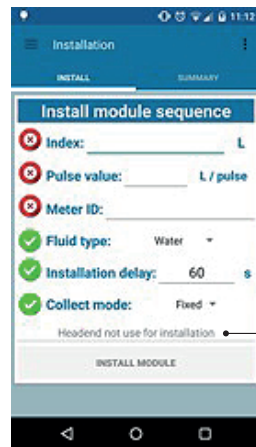
During activation, 3 parameters are requested: the serial number of the mechanical meter, the pulse weight and the reading of the volume measured by the meter expressed in litres.

Once these preliminary operations have been completed, proceed as follows:

- Enable the smartphone's audio function;
- Open the "Wirgrid NFC" application;
- Enter the "Login" and "Password";
- Verify that the correct radio was set in the "Application mode" field under SETTING;
- Place the smartphone above the radio module (3) to allow the NFC communication;



- Wait for the "beep". This will signal that the NFC communication is active. At this point, the smartphone can be moved;
- Make sure that "Headend not use for installation" (4) appears on the display;



- Enter the missing parameters (indicated with a red icon);
 - "Index" (reading of the mechanical meter)
 - "Pulse value" (pulse weight: 1 l for DN up to 32 mm and 10 l for DN 40 mm)
 - "Meter ID" (serial number of the mechanical meter associated with the radio)
- If necessary, modify the entered default parameters (indicated with a green icon) "Fluid type", "Installation delay", "Collect mode";



WARNING!

The "Collect mode" parameter is set by default to "Fixed".

If module **Arrow^{WAN} MVM 169** is activated, the radio type can be set to "Fixed" (AMR mode for fixed network), "Mobile" (mobile reading mode) or "Both" (AMR mode for fixed network and mobile reading mode)

If module **Arrow^{WAN} MVM 868** is activated, the radio type can be set solely to "Fixed" (AMR mode for fixed network)

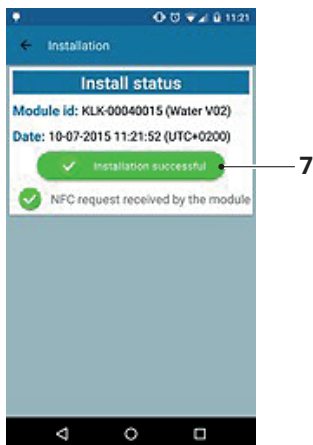
- Place the smartphone above the radio module to allow the NFC communication;
- Click "INSTALL MODULE" (5) once all the parameters have been inserted correctly;



- Wait for the activation (6) to terminate;



- Once completed, the “Installation successful” (7) message will appear.



Clicking an item from the list of installed modules (2) allows for viewing the details (3) relative to the installation.



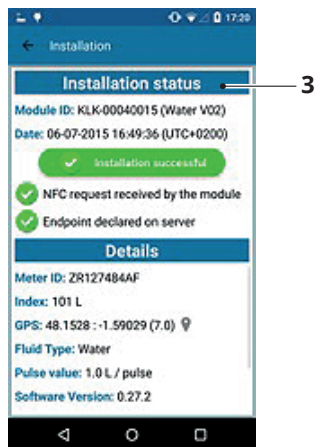
WARNING!

The radio module is pre-configured. To change the settings, refer to the manual of the activation and programming app.

3.3 Verification of the entered parameters

Use the “Summary” function to verify that the “module serial number”, “reading” and “pulse weight” values have been entered correctly.

From the “Install” menu, click “Summary” (1) to view the information of the installed modules (2).



WARNING!

If the displayed parameters are not correct, the radio module’s activation can be repeated (see the “**Activating the radio module**” paragraph).

3.4 Troubleshooting

FAULT	CAUSE	SOLUTION
The radio module is not transmitting	Electrical or electronic devices interfere with the signal	Move devices to a sufficient distance away Move the receiver closer
	Battery empty	Contact the manufacturer
NFC connection failure	No or difficult connection to the NFC port	Place the smartphone so that its NFC port is above that of the radio module.
		With some smartphones that have a weak NFC antenna, the operation could be difficult or impossible.
		Try with a different phone model.
Module activation error	No or difficult connection to the NFC port	Place the smartphone so that its NFC port is above that of the radio module.
		With some smartphones that have a weak NFC antenna, the operation could be difficult or impossible.
	Failed installation of the json configuration file in the app folder	Try with a different phone model. Install the configuration file on the smartphone as explained in the app manual.



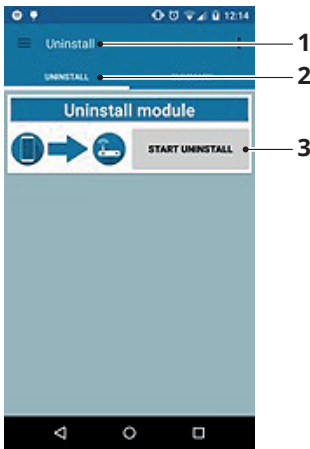
WARNING!

For a complete list of alarms, please refer to the specific manual.

3.5 Deactivating the radio module

To deactivate the **Arrow^{WAN} MVM** module, proceed as described below:

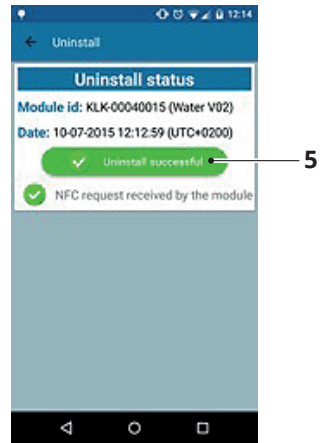
- Open the "Wirgrid NFC" application;
- Access the "Uninstall" menu (1);
- Click on "UNINSTALL" (2);
- Click on "UNINSTALL" (2);
- Place the smartphone above the radio module to allow the NFC communication;
- Click on "START UNINSTALL" (3);



- Wait for the deactivation (4) to terminate;



- Once completed, the "Uninstall successful" (5) message will appear;



WARNING!

The deactivation can be carried out at any time. The radio will remain in hibernation mode until the next activation.

4 Maintenance

4.1 Battery

The radio module is equipped with a 3.6 V lithium-thionyl chloride (Li-SOCl₂) battery that is not rechargeable but can be replaced.

Its useful life varies between 12 (Arrow^{WAN} MVM 169 mobile + fixed) and 15 years (Arrow^{WAN} MVM 169 fixed, three transmissions per day of the measurements plus one weekly transmission on the status of the module) with the factory set up in the following operating conditions:

- between -10°C and +0°C for 10% of lifespan
- between 0°C and +30°C for 80% of lifespan
- between +31 °C and +55 °C for 10% of lifespan



WARNING!

Humidity and intense heat may damage the battery and reduce its lifespan.

The radio module calculates the residual lifespan of the battery on the basis of stored parameters, such as estimated consumption of the electronic board in stand-by mode, transmitter consumption and number of transmissions performed.

Battery life depends largely on the frequency of data transmission set.

4.2 Cleaning

No particular cleaning procedures are required. However, the installation area should be kept clean and periodic checks should be performed to ensure the required environmental conditions are met.



PROHIBITED

Use of abrasive products, petrol or trichloroethylene is not permitted.

4.3 Disposal

The device is composed of materials of various nature including metal, plastic and electrical and electronic components. It must be disposed of in compliance with applicable local laws regarding special and industrial waste. The device cannot be disposed of as domestic waste.

At the end of the product's life, ensure safe removal and responsible disposal of components, including recycling of batteries, in compliance with applicable environmental laws in the country of installation.





MADDALENA spa

Via G.B. Maddalena 2/4 - 33040 Povoletto (Udine)

Tel. +39 0432 634811

www.maddalena.it

Maddalena S.p.A. reserves the right to change its products at any time and without prior notice, with the aim of improving them and without compromising primary features. All the graphic illustrations and/or photographs appearing in this document can be represented with optional accessories that vary in relation to the country where the device is used.